


SPECIFICATIONS FOR LCD MODULE

CUSTOMER	
MODEL	SCT050002-V01
CUSTOMER APPROVED	

APPROVED BY	CHECKED BY	ORGANIZED BY
	Lr.Yin	Wf.Luo

**ADD: 6F. B block of 10 Building Huafeng Technology Park. Fengtang Road
Fuyong town Baoan district Shenzhen Guangdong**

TEL: 0755-81452160

FAX: 0755-81452166



0158

CONTENTS

- **MODULE CLASSIFICATION INFORMATION**
- **PHYSICAL DATA**
- **MECHANICAL DIMENSIONS**
- **INTERFACE PIN CONNECTIONS**
- **ABSOLUTE MAXIMUM RATINGS**
- **ELECTRICAL CHARACTERISTICS**
- **BACKLIGHT**
- **OPTICAL CHARACTERISTICS**
- **OPERATING PRINCIPLES & METHODS**
- **RELIABILITY**
- **INSPECTION CRITERIA**
- **PRECAUTIONS FOR USING LCD MODULES**
- **USING LCD MODULES**

■ INTERFACE PIN CONNECTIONS

NO	SYMBOL	LEVEL	FUNCTION
1	LEDK	-	LED light,cathode
2	LEDA	-	LED light,anode
3	GND	-	Ground
4	VCC	-	Power supply
5	R0	H/L	<p>Graphic Data Input Pins. Internal pull low.</p> <ul style="list-style-type: none"> - R [7:0]: Red Data - 8-bits - G [7:0]: Green Data -8-bits - B [7:0]: Blue Data - 8-bits
6	R1	H/L	
7	R2	H/L	
8	R3	H/L	
9	R4	H/L	
10	R5	H/L	
11	R6	H/L	
12	R7	H/L	
13	G0	H/L	
14	G1	H/L	
15	G2	H/L	
16	G3	H/L	
17	G4	H/L	
18	G5	H/L	
19	G6	H/L	
20	G7	H/L	
21	B0	H/L	
22	B1	H/L	
23	B2	H/L	
24	B3	H/L	
25	B4	H/L	
26	B5	H/L	
27	B6	H/L	
28	B7	H/L	
29	GND	H/L	Ground
30	CLK	H/L	Clock signal
31	DISP	H/L	Display on/off
32	HS	H/L	Horizontal sync input in RGB mode
33	VS	H/L	Vertical sync input in RGB mode
34	DE	H/L	Data enable
35	NC	-	No used
36	GND	-	Ground
37	NC(XR)	-	No used (Touch panel right)
38	NC(YD)	-	No used (Touch panel bottom)
39	NC(XL)	-	No used (Touch panel left)
40	NC(YT)	-	No used (Touch panel top)

■ ABSOLUTE MAXIMUM RATINGS

PARAMETER	SYMBOL	MIN	MAX	UNIT
Supply voltage for logic	VCC	0	4.0	V
Operating temperature	TOP	-20	+70	°C
Storage temperature	TST	-30	+80	°C

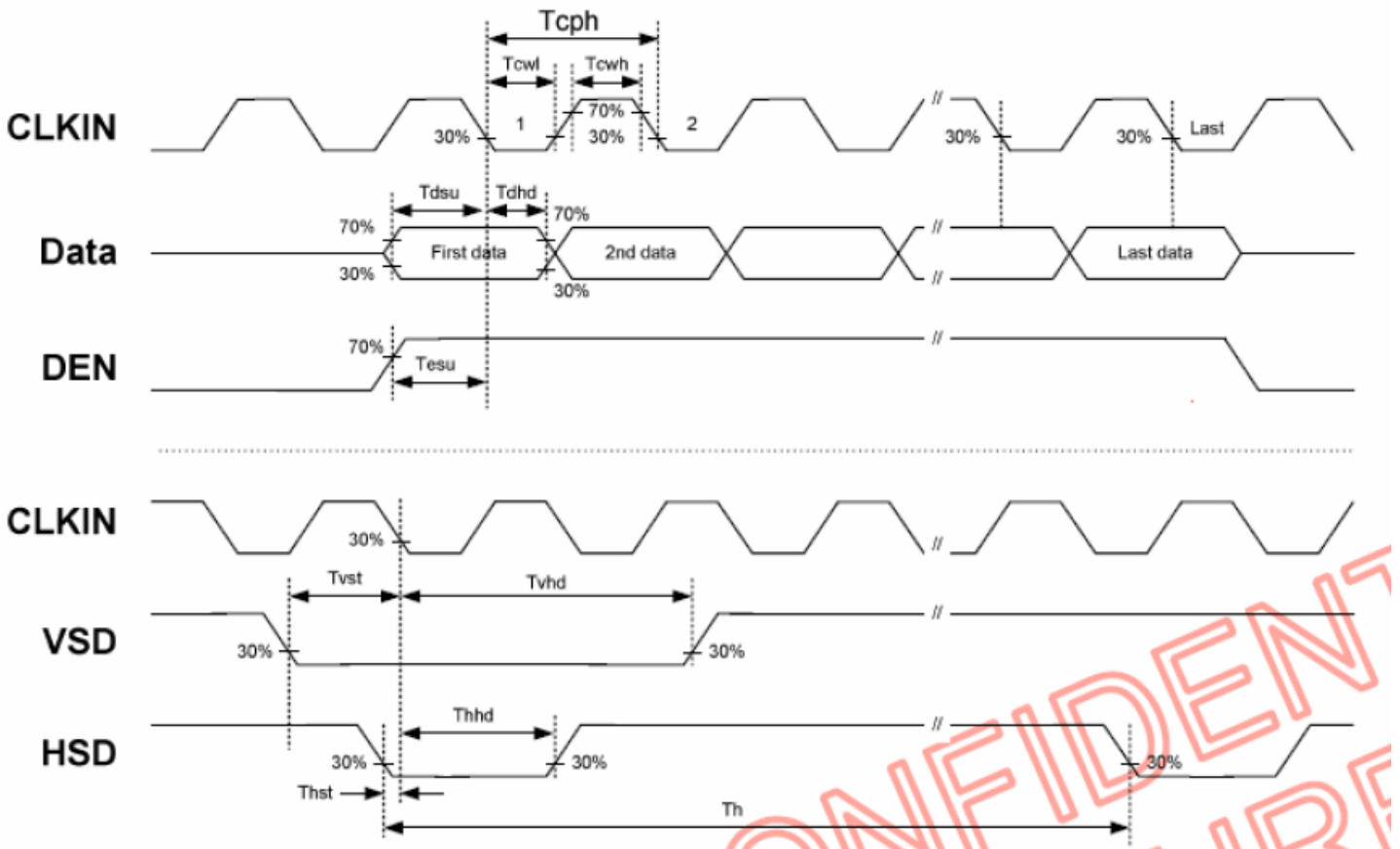
■ ELECTRICAL CHARACTERISTICS

▼ DC Characteristics

Condition: VCC=3.3V, VSS=0V, Ta=25°C

PARAMETER	SYMBOL	CONDITION	MIN	TYP	MAX	UNIT
Supply voltage	VCC	----	3.0	3.3	3.6	V
Input Current	I _{dd}	At Black pattern	---	15	20	Ma
Input voltage 'H' level	V _{IH}		0.8VCC	---	VCC	V
Input voltage 'L' level	V _{IL}		0	---	0.2VCC	V
Output voltage 'H' level	V _{OH}	I _{out} =-100uA	0.8VCC	---	VCC	V
Output voltage 'L' level	V _{OL}	I _{out} =100uA	0	---	0.1VCC	V

▼ AC Characteristics



Item	Symbol	Values			Unit	Remark
		Min.	Typ.	Max.		
Horizontal Display Area	thd	-	800	-	DCLK	
DCLK Frequency	fclk	26.4	33.3	46.8	MHz	
One Horizontal Line	th	862	1056	1200	DCLK	
HS pulse width	thpw	1	-	40	DCLK	
HS Blanking	thb	46	46	46	DCLK	
HS Front Porch	thfp	16	210	354	DCLK	

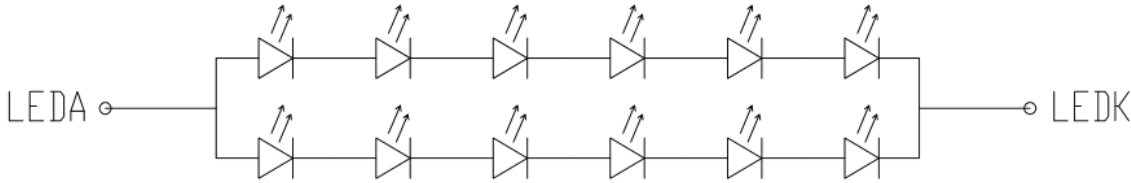
Item	Symbol	Values			Unit	Remark
		Min.	Typ.	Max.		
Vertical Display Area	tvd	-	480	-	TH	
VS period time	tv	510	525	650	TH	
VS pulse width	tvpw	1	-	20	TH	
VS Blanking	tvb	23	23	23	TH	
VS Front Porch	tvfp	7	22	147	TH	

■ BACKLIGHT

▼ Backlight Type

Backlight Type: LED

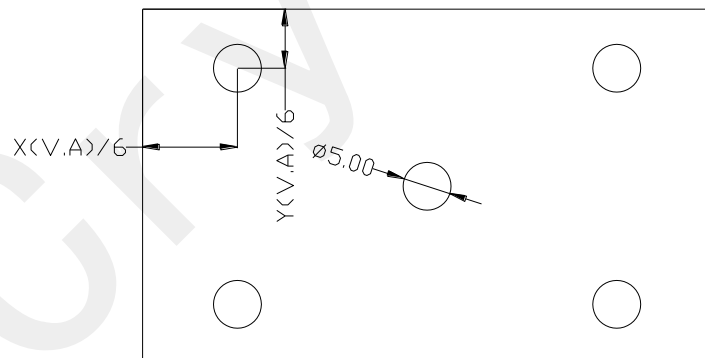
▼ Power Supply For Backlight



▼ Electrical-Optical Characteristics

PARAMETER	SYMBOL	CONDITION	MIN	TYP	MAX	UNIT
Forward voltage	Vf (LED(+)-LED(-))		16.5	18.6	21	V
Forward current	If		----	40	40	mA
Reverse current	Ir	VR=3.3V	----	----	160	μA
Wavelength (Chromaticity)	λp		----	----	----	
Luminance	Lv	If(forward current) = 40mA	3000	----		cd/m ²

Note: The Master Screen's luminance is the average value of 5 points, and The Lvmin./Lvmax. is not less than 70%. The measurement instrument is BM-7 luminance Colorimeter. The aperture is Φ5 mm.



■ OPTICAL CHARACTERISTICS

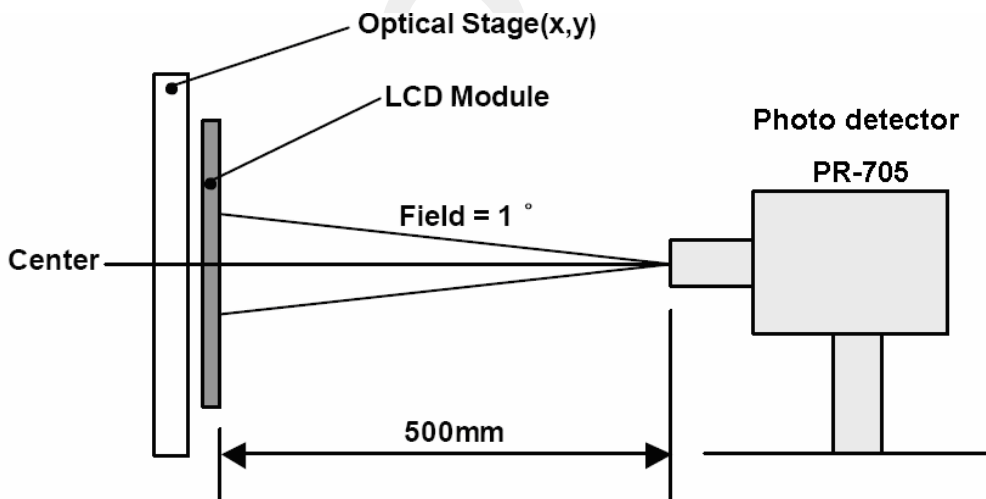
(Ta = 25 °C, If = 40 mA)

Item		Symbol	Condition	Min	Typ.	Max	Unit	Remark
Viewing Angle	Horizontal	ΘL	Center CR≥10	50	60	---	Deg.	Note 3,2
		ΘR		50	60	---		
	Vertical	ΘU		30	40	---		
		ΘD		40	60	---		
Contrast Ratio		CR	At optimized View Angle	250	350	---	---	Note 1,4
Luminance		YL	Θ=0°	200	240	---	cd/m ²	Note 1,5
Uniformity		LU		50	62	---	%	Note 1,6
Response Time		Tr	Θ=0°	---	10	20	ms	Note 7
		Tf		---	15	30	ms	
Color Chromaticity	White	X	Θ=0°	0.26	0.31	0.36	---	---
		Y		0.28	0.33	0.38		
	Red	X		---	---	---		
		Y		---	---	---		
	Green	X		---	---	---		
		Y		---	---	---		
	Blue	X		---	---	---		
		Y		---	---	---		

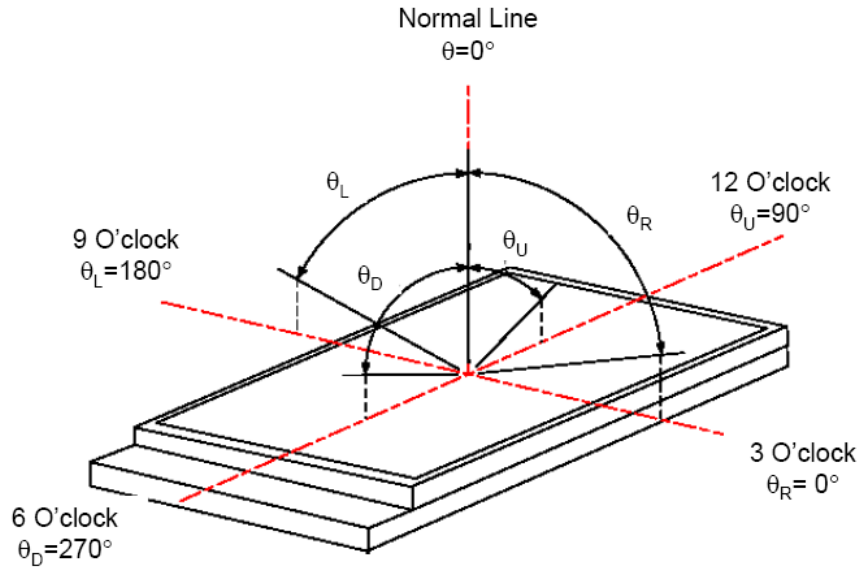
Note 1: Measuring equipments: DMS-501, PR-705.

Measuring condition:

- After stabilizing and leaving the panel alone at a given temperature for 30 min, the measurement should be executed,
- Measuring surroundings: a stable, windless and dark room,
- Measuring temperature: Ta=25 °C,
- 30 min after lighting the back-light.



Note 2: The definition of viewing angle:



Note 3: The definition of viewing direction:

The definition of viewing direction is for good image quality, which is 12 O'clock. View Direction for Largest Contrast Ratio is 6 O'clock.

Note 4: The contrast ratio (CR) is defined as follows:

$$CR = \frac{\text{Luminance with all pixels white}}{\text{Luminance with all pixels black}}$$

Measure the luminance at the center of the screen.

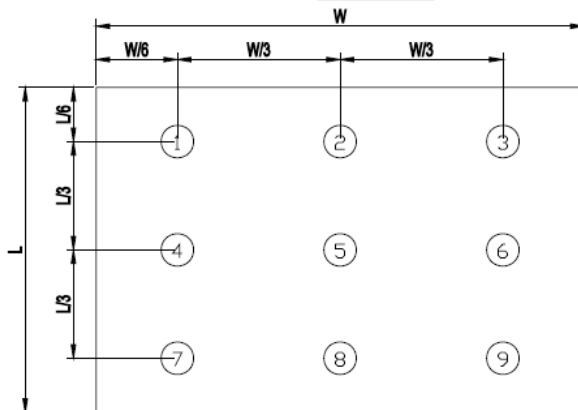
Note 5: Definition luminance of White: measure the luminance of White at the center of the screen.

Note 6: The definition of luminance uniformity:

The luminance uniformity is calculated by using following formula.

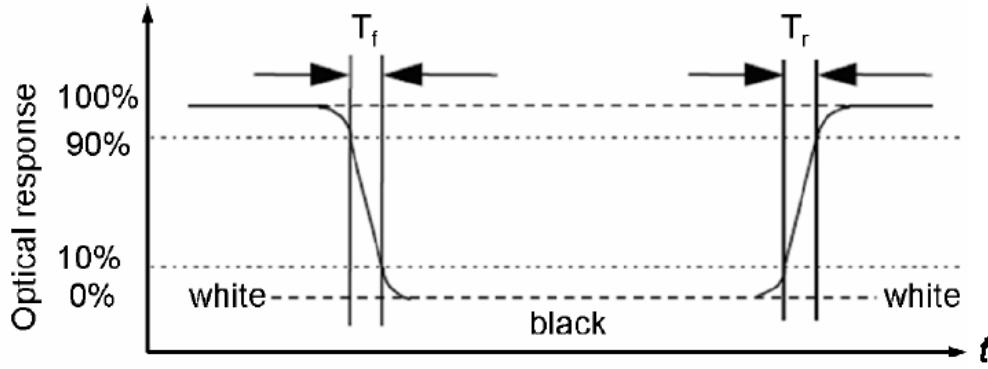
$$\text{Luminance uniformity (Lu)} = \frac{\text{Minimum luminance from 1 to 9}}{\text{Maximum luminance from 1 to 9}}$$

The luminance is measured at near the 9 points shown below.



Note7: The definition of response time:

The output signals of photo detector are measured when the input signals are changed from “black” to “white” (falling time) and from “white” to “black” (rising time), respectively. The response time is defined as the time interval between the 10% and 90% of amplitudes. Refer to figure as below:

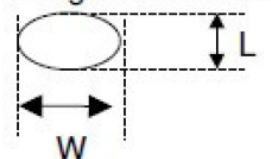
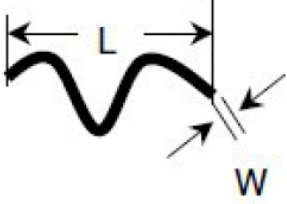
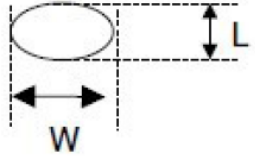





SinoCrystal

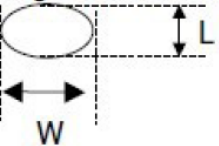
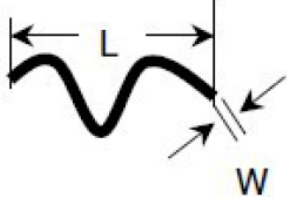
■ INSPECTION CRITERIA

Class	Item	Judgment	Class
Packing & Indicate	1.Outside and inside package	"Model no." , "lot no." and "quantity" Should indicate on the package.	Minor
	2.Model mixed and quantity	Other model mixed.....rejected. Quantity short or over....rejected.	Critical
	3.Product indication	"Model no." should indicate on the product	Major
Assembly	4.Dimension,LCD glass scratch And scribe defect	According to specification or drawing	Major
Appearance	5.Viewing area	Polarizer edge or LCD's sealing line is visible in the viewing arearejected	Minor
	6.Blemish、black spot、 White spot in the LCD And LCD glass cracks	According to standard of visual inspection (inside viewing area)	Minor
	7. Blemish、black spot White spot and scratch on the polarizer	According to standard of visual inspection (inside viewing area)	Minor
	8.Bubble in polarizer	According to standard of visual inspection (inside viewing area)	Minor
	9.LCD's rainbow color	Strong deviation color (or Newton ring) of LCDrejected. Or according to limited sample (if needed, and inside viewing area)	Minor
	10.FPC	Burned area or wrong part number is on FPC. The symbol, character, and mark of FPC are unidentifiable. The stripped solder mask, A>1.0mm 0.3mm < stripped solder mask or visible circuit, A<1.0mm,and the number is ≧ 4 pieces. Particle between circuits in solder mask.. Circuit is peeled off or cracked. Any circuit risen or exposed. 0.2mm< Area of solder ball, A is ≧ 0.4mm,the number of solder ball is ≧ 3 pieces. The magnitude of solder ball, A is>0.4mm.	Minor

Class	Item	Judgment	Class
Electrical	11.Electrical and optical characteristics (contrast 、 VOP 、 chromaticity...etc)	According to specification or drawing. (inside viewing area)	Critical
	12.Missing pattern	Missing dot、 line、 character.....rejected	Critical
	13.Short circuit、 wrong pattern display	Non display 、 wrong pattern display 、 current consumption out of specification.....rejected	Critical
	14.Pin hole、 pattern deformity	According to standard of visual inspection	Minor
	15.Black spot、 white spot、 black line、 white line、 slant line、 background uneven 、 color uneven	Strong deviation color.....rejected Or according to limited sample full off screen (all black) ...disregards	Minor
	16.Stick image (retention image)	Fixed test picture within two hours...rejected	Minor

NO	Defect	Criteria		Remark
		Spec	Permissible Qty	
1	Round type(Minor)	$\phi \leq 0.10\text{mm}$	Disregard	1. $\phi = (L+W)/2$, L: Length, W: Width 2. Disregard if out of A.A. 
		$0.10\text{mm} < \phi \leq 0.20\text{mm}$	3	
		$0.20\text{mm} < \phi$	0	
2	Line type(Minor)	$W \leq 0.03\text{mm}$	Disregard	1. L: Length, W: Width 2. Disregard if out of A.A. 
		$L \leq 3.0\text{mm}$ and $0.03\text{mm} < W \leq 0.05\text{mm}$	2	
		$L \leq 3.0\text{mm}$ and $0.05\text{mm} < W \leq 0.10\text{mm}$	1	
		$W > 0.10\text{mm}$ or $L > 3.0\text{mm}$	0	
3	Polarizer dent(Minor)	$\phi \leq 0.20\text{mm}$	Disregard	1. $\phi = (L+W)/2$, L: Length, W: Width 2. Disregard if out of A.A. 
		$0.20\text{mm} < \phi \leq 0.30\text{mm}$	2	
		$0.30\text{mm} < \phi \leq 0.50\text{mm}$	1	
		$0.50\text{mm} < \phi$	0	

NO	Defect	Criteria		Remark
1	No display (Major)	Not allowed		
2	Missing line (Major)	Not allowed		
3	Darker or lighter Line (Major)	Not allowed		
4	Weak line(Major)	By limited sample		
5	Bright / Dark point (Minor)	Spec.	Permissible Qty	1:1sub-pixel: 1R or 1G or 1B 2:Point defect area \geq 1/2 sub pixel.
		Bright point	1	
		Dark point	2	

6	Round type (Minor)	Spec	Permissible Qty	1. $\phi = (L+W)/2$, L: Length, W: Width 2. Disregard if out of A.A. 
		$\phi \leq 0.10\text{mm}$	Disregard	
		$0.10\text{mm} < \phi \leq 0.20\text{mm}$	3	
		$0.20\text{mm} < \phi$	0	
7	Line type (Minor)	Spec.	Permissible Qty	1. L: Length, W: Width 2. Disregard if out of A.A. 
		$W \leq 0.03\text{mm}$	Disregard	
		$L \leq 3.0\text{mm}$ and $0.03\text{mm} < W \leq 0.05\text{mm}$	2	
		$L \leq 3.0\text{mm}$ and $0.05\text{mm} < W \leq 0.10\text{mm}$	1	
		$W > 0.10\text{mm}$ or $L > 3.0\text{mm}$	0	
8	Mura (Minor)	By 5% ND filter invisible		

■ PRECAUTIONS FOR USING LCD MODULES

▼ Handling Precautions

- (1) The display panel is made of glass. Do not subject it to a mechanical shock by dropping it or impact.
- (2) If the display panel is damaged and the liquid crystal substance leaks out, be sure not to get any in your mouth. If the substance contacts your skin or clothes, wash it off using soap and water.
- (3) Do not apply excessive force to the display surface or the adjoining areas since this may cause the color tone to vary.
- (4) The polarizer covering the display surface of the LCD module is soft and easily scratched. Handle this polarizer carefully.
- (5) If the display surface becomes contaminated, breathe on the surface and gently wipe it with a soft dry cloth. If it is heavily contaminated, moisten cloth with one of the following solvents :
 - Isopropyl alcohol
 - Ethyl alcohol
- (6) Solvents other than those above-mentioned may damage the polarizer. Especially, do not use the following.
 - Water
 - Ketone
 - Aromatic solvents
- (7) Exercise care to minimize corrosion of the electrode. Corrosion of the electrodes is accelerated by water droplets, moisture condensation or a current flow in a high-humidity environment.

■ USING LCD MODULES

▼ Liquid Crystal Display Modules

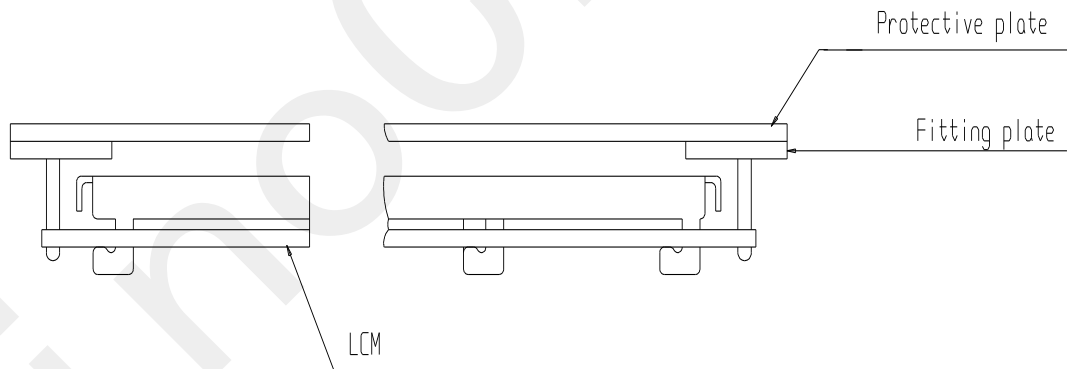
LCD is composed of glass and polarizer. Pay attention to the following items when handling.

- (1) Please keep the temperature within specified range for use and storage. Polarization degradation, bubble generation or polarizer peel-off may occur with high temperature and high humidity.
- (2) Do not touch, push or rub the exposed polarizers with anything harder than an HB pencil lead (glass, tweezers, etc.).
- (3) N-hexane is recommended for cleaning the adhesives used to attach front/rear polarizers and reflectors made of organic substances which will be damaged by chemicals such as acetone, toluene, ethanol and isopropylalcohol.
- (4) When the display surface becomes dusty, wipe gently with absorbent cotton or other soft material like chamois soaked in petroleum benzin. Do not scrub hard to avoid damaging the display surface.
- (5) Wipe off saliva or water drops immediately, contact with water over a long period of time may cause deformation or color fading.
- (6) Avoid contacting oil and fats.
- (7) Condensation on the surface and contact with terminals due to cold will damage, stain or dirty the polarizers. After products are tested at low temperature they must be warmed up in a container before coming is contacting with room temperature air.
- (8) Do not put or attach anything on the display area to avoid leaving marks on.
- (9) Do not touch the display with bare hands. This will stain the display area and degradate insulation between terminals (some cosmetics are determinated to the polarizers).
- (10) As glass is fragile. It tends to become or chipped during handling especially on the edges. Please avoid dropping or jarring.

▼ Installing LCD Modules

The hole in the printed circuit board is used to fix LCM as shown in the picture below. Attend to the following items when installing the LCM.

- (1) Cover the surface with a transparent protective plate to protect the polarizer and LC cell.



- (2) When assembling the LCM into other equipment, the spacer to the bit between the LCM and the fitting plate should have enough height to avoid causing stress to the module surface, refer to the individual specifications for measurements. The measurement tolerance should be $\pm 0.1\text{mm}$.

▼ Precaution for Handling LCD Modules

Since LCM has been assembled and adjusted with a high degree of precision, avoid applying excessive shocks to the module or making any alterations or modifications to it.

- (1) Do not alter, modify or change the shape of the tab on the metal frame.
- (2) Do not make extra holes on the printed circuit board, modify its shape or change the positions of components to be attached.
- (3) Do not damage or modify the pattern writing on the printed circuit board.
- (4) Absolutely do not modify the zebra rubber strip (conductive rubber) or heat seal connector.

(5) Except for soldering the interface, do not make any alterations or modifications with a soldering iron.

(6) Do not drop, bend or twist LCM.

▼ Electro-Static Discharge Control

Since this module uses a CMOS LSI, the same careful attention should be paid to electrostatic discharge as for an ordinary CMOS IC.

(1) Make certain that you are grounded when handling LCM.

(2) Before remove LCM from its packing case or incorporating it into a set, be sure the module and your body have the same electric potential.

(3) When soldering the terminal of LCM, make certain the AC power source for the soldering iron does not leak.

(4) When using an electric screwdriver to attach LCM, the screwdriver should be of ground potentiality to minimize as much as possible any transmission of electromagnetic waves produced sparks coming from the commutator of the motor.

(5) As far as possible make the electric potential of your work clothes and that of the work bench the ground potential.

(6) To reduce the generation of static electricity be careful that the air in the work is not too dried. A relative humidity of 50%-60% is recommended.

▼ Precaution for soldering to the LCM

(1) Observe the following when soldering lead wire, connector cable and etc. to the LCM.

- Soldering iron temperature : $280^{\circ}\text{C} \pm 10^{\circ}\text{C}$.

- Soldering time : 3-4 sec.

- Solder : eutectic solder.

If soldering flux is used, be sure to remove any remaining flux after finishing to soldering operation. (This does not apply in the case of a non-halogen type of flux.) It is recommended that you protect the LCD surface with a cover during soldering to prevent any damage due to flux spatters.

(2) When soldering the electroluminescent panel and PC board, the panel and board should not be detached more than three times. This maximum number is determined by the temperature and time conditions mentioned above, though there may be some variance depending on the temperature of the soldering iron.

(3) When remove the electroluminescent panel from the PC board, be sure the solder has completely melted, the soldered pad on the PC board could be damaged.

▼ Precautions for Operation

(1) Viewing angle varies with the change of liquid crystal driving voltage (VO). Adjust VO to show the best contrast.

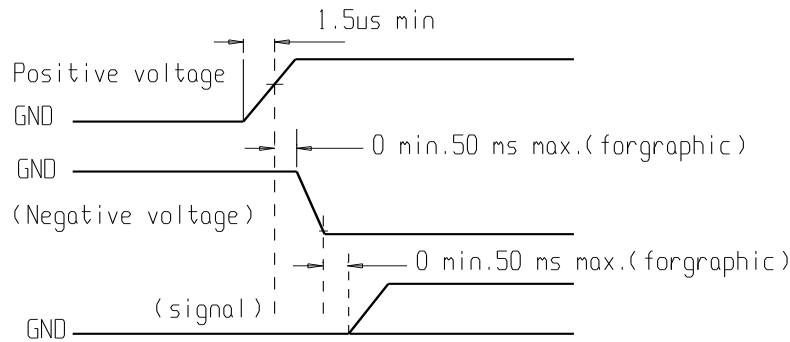
(2) Driving the LCD in the voltage above the limit shortens its life.

(3) Response time is greatly delayed at temperature below the operating temperature range. However, this does not mean the LCD will be out of the order. It will recover when it returns to the specified temperature range.

(4) If the display area is pushed hard during operation, the display will become abnormal. However, it will return to normal if it is turned off and then back on.

(5) Condensation on terminals can cause an electrochemical reaction disrupting the terminal circuit. Therefore, it must be used under the relative condition of 40°C , 50% RH.

(6) When turning the power on, input each signal after the positive/negative voltage becomes stable.



▼ Storage

When storing LCD's as spares for some years, the following precaution are necessary.

- (1) Store them in a sealed polyethylene bag. If properly sealed, there is no need for dessicant.
- (2) Store them in a dark place. Do not expose to sunlight or fluorescent light, keep the temperature between 0°C and 35°C.
- (3) The polarizer surface should not come in contact with any other objects. (We advise you to store them in the container in which they were shipped.)
- (4) Environmental conditions :
 - Do not leave them for more than 168hrs. at 80°C.
 - Should not be left for more than 48hrs. at -30°C.

▼ Safety

- (1) It is recommended to crush damaged or unnecessary LCD's into pieces and wash them off with solvents such as acetone and ethanol, which should later be burned.
- (2) If any liquid out of a damaged glass cell and comes in contact with the hands, wash off thoroughly with soap and water.

▼ Limited Warranty

Unless agreed between SINO and customer, SINO will replace or repair any of its LCD modules which are found to be functionally defective when inspected in accordance with SINO LCD acceptance standards (copies available upon request) for a period of one year from date of shipments. Cosmetic/visual defects must be returned to SINO within 90 days of shipment. Confirmation of such date shall be based on freight documents. The warranty liability of SINO limited to repair and/or replacement on the terms set forth above. SINO will not be responsible for any subsequent or consequential events.

▼ Return LCM under warranty

No warranty can be granted if the precautions stated above have been disregarded. The typical examples of violations are :

- Broken LCD glass.
- PCB eyelet's damaged or modified.
- PCB conductors damaged.
- Circuit modified in any way, including addition of components.
- PCB tampered with by grinding, engraving or painting varnish.
- soldering to or modifying the bezel in any manner.

Module repairs will be invoiced to the customer upon mutual agreement. Modules must be returned with sufficient description of the failures or defects. Any connectors or cable installed by the customer must be removed completely without damaging the PCB eyelet's, conductors and terminals.